

KUS

FL2-WE

Mounting Instructions



Table of Contents

1. General 1
2. Installation 2

Revision History

Revision	Description
1.0	Original Document

Applicable to aluminum alloy/plastic tank assembly with size 2-8mm

Preparation: 40mm opener, 4.0~4.2 driller, electric hand drill, marker pen, ruler, & cutter knife

Step 1:

Place gasket over hole area in tank, draw large hole and five small holes using marker pen and ruler (Figure 1)

Step 2:

Use 40.0mm opener with 4.2mm driller to drill hole using electric hand driller (Figure 2)

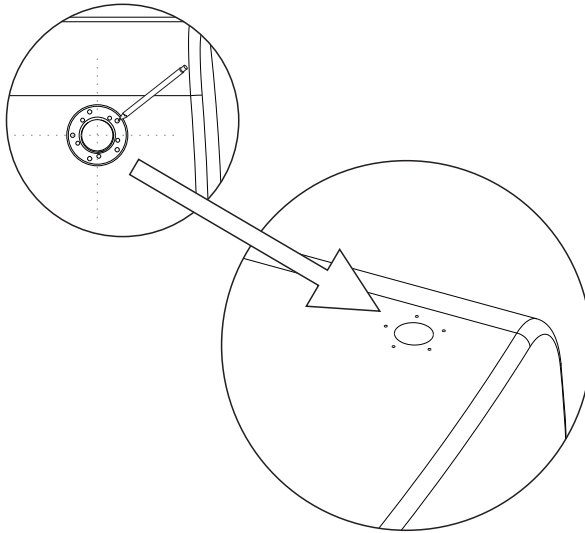


Figure. 1

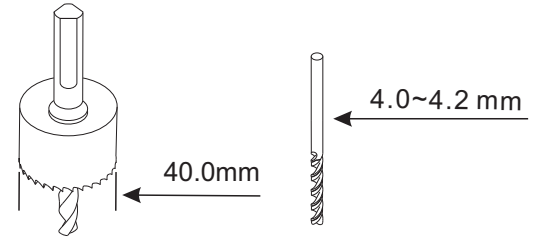


Figure. 2

Step 3:

Secure gasket and flange into tank using five screws with electric hand driller (Figure 3)

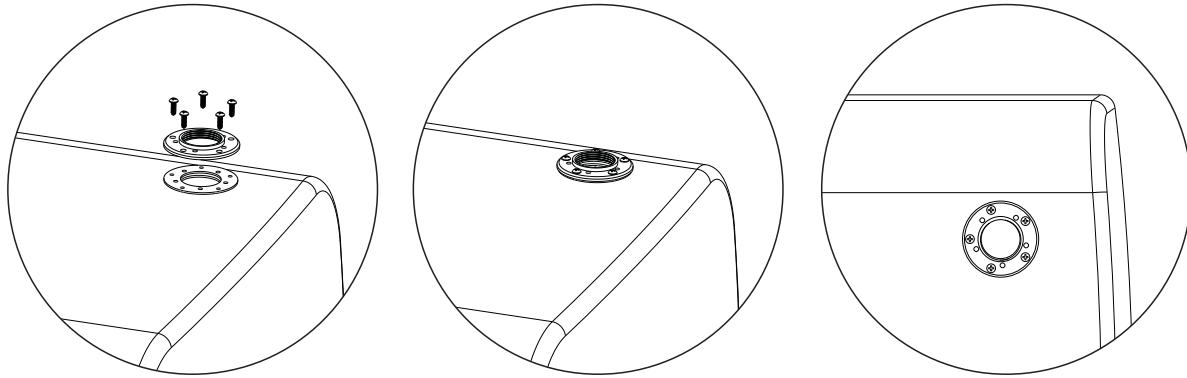


Figure. 3

www.kus-usa.com

KUS
Since 1984

