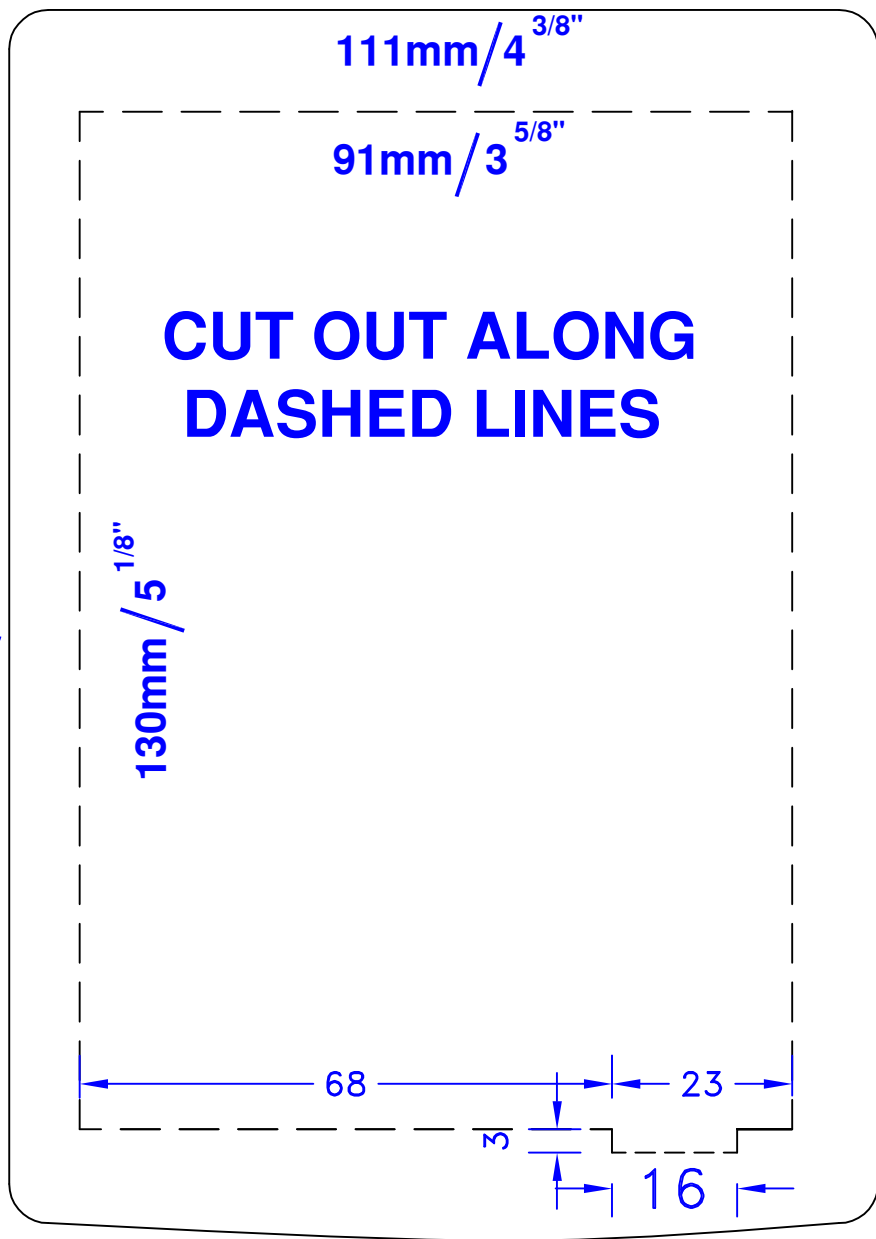
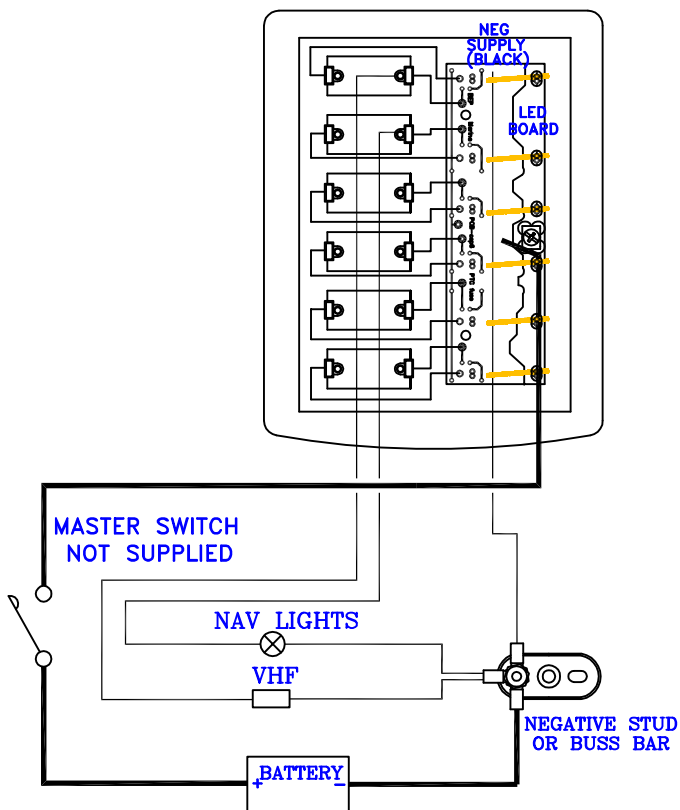


1. Cut hole as per template. use 4 screws supplied to retain panel.
 - * CSK Screws in two left hand holes. (Fit supplied grommets into screw holes to hide screw heads.)
 - * Pan head screws in two right hand holes.
2. Connect main positive from masterswitch to led board screw terminal.
3. Connect Negative from battery to negative stud (supplied) or buss bar (not supplied). connect neg from panel to neg stud.
4. Connect positive from appliance to switched side of switch (same side as led's).
5. Fit negative from appliance to negative stud.

Note: The backlight will run continuously while power is supplied to the panel. Backlight current draw equals 1.25mA (equivalent to 68,000 hours with an 85AH battery)



DATE	REV.	DATE	DESCRIPTION	DRAWN	APPRVD	TITLE:
18/12/03				S PLAYER		INST-CSP6PTC-BEP
DWG No.						
BEP CSP6PTC						
A	B	C	D	E	F	

INST-CSP6PTC-BEP

BEP MARINE LTD.
 13 Tardale Grove
 Albany
 Auckland 1310 N.Z.
 PH 09 415 7261 FAX 09 415 9327
 www.bepmarine.com

