

Item: TXJ1001

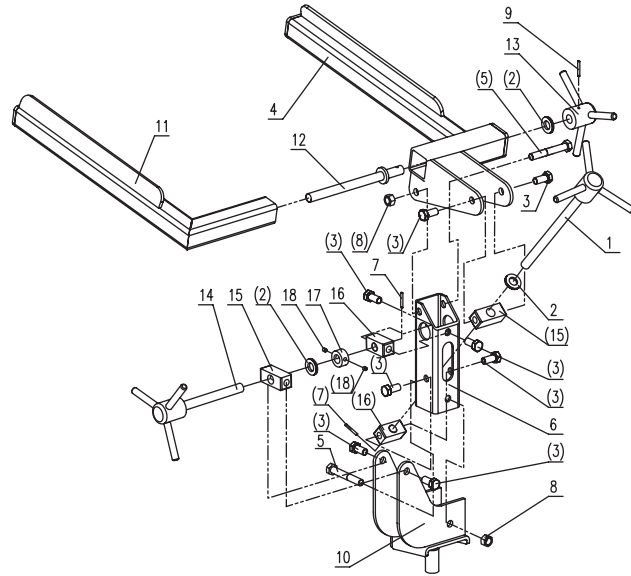
Operator's Manual

Engine Transmission Jack 750-LBS



Made in China

Drawing 2



Parts 2

Part No.	Description	Qty
1	Handle	1
2	Needle Roller Bearings	3
3	Bolt M12X20	8
4	Right Arm Assembly	1
5	Bolt	2
6	Square Tube	1
7	Spring Column Pin 4X18	2
8	Locknut M12	2
9	Spring Column Pin4X30	1
10	Base Assembly	1
11	Left Arm Assembly	1
12	Middle Screw Components	1
13	Swivel Knob Assembly	1
14	Swivel Knob Assembly 2	1
15	Linking Block 1	2
16	Linking Block 2	2
17	Sleeve	1
18	Cone point set screws M6X8	2

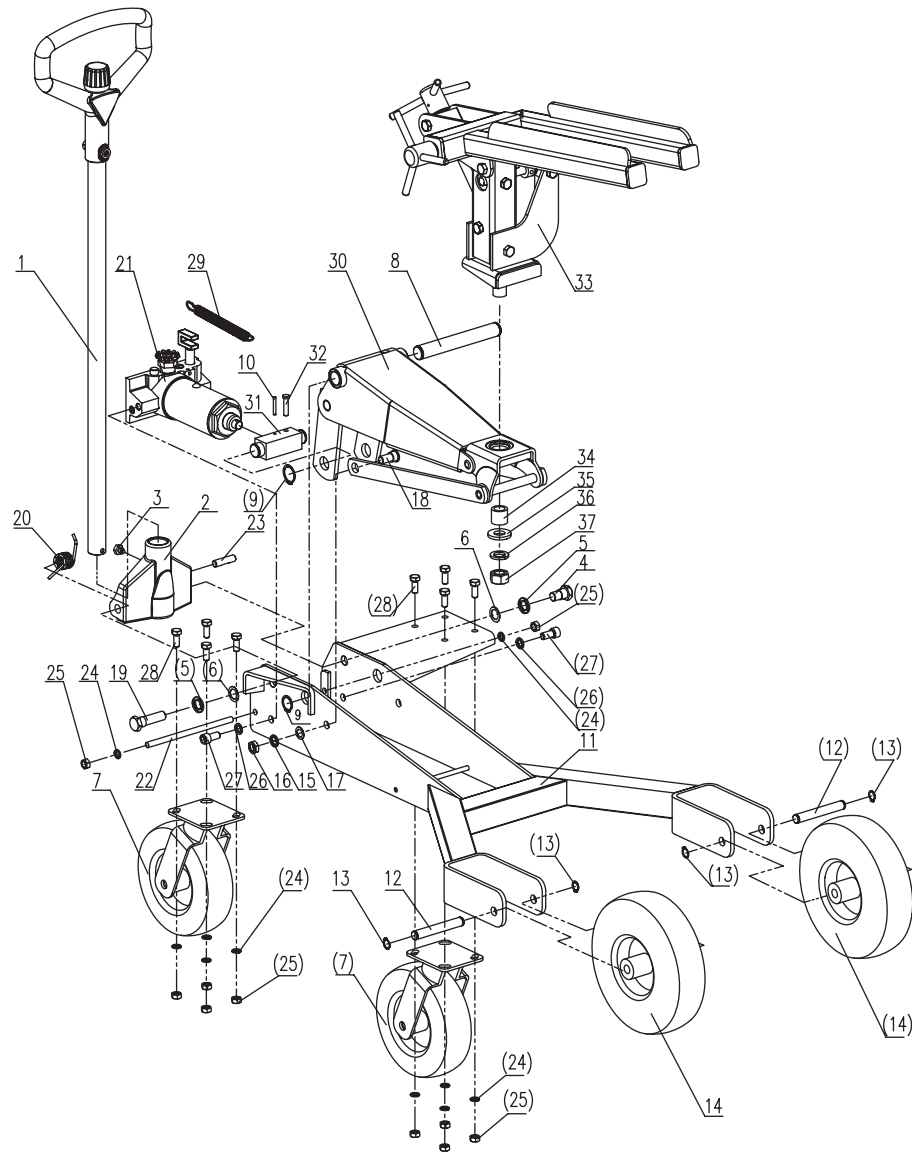
Operation Instruction

1. Move the transmission jack to the right place.
2. Turn on the handle clockwise, turn off the release value rod, operate the handle up and down to make the upper frame go up properly.
3. Make the upper frame of the transmission jack positioned under the right supporting point of the engine, adjust the three handles of the upper frame to make it parallel with the supporting point of the engine.
4. Operate the handle up and down to lift the engine to the top of it completely.
5. Take the engine out of the boat, adjust three handles and tighten the engine to the left and right support arms and make the engine parallel with the ground.
6. Turn on the handle slowly and anticlockwise, release the rod of release value, lowering the engine slowly and stable. Make sure do not turn over the rod of release value more than one circle.
7. Pull the transmission jack to move the engine to the right place.
8. For lifting, operate the machine by the above steps by contrary.

WARNING:

1. Don't overload.
2. Only for lifting something, not for supporting.
3. Don't work under the jacks which are lifted by the transmission jack.
4. Make sure to keep your hands, fingers and arms away from the parts which can move.
5. Always work on the smooth ground.
6. When lifting, moving or descending, ensure that all the people are away from it and be careful.
7. Before moving, lowering the engine, make sure that the left and right support arms fix the engine tightly.

Drawing 1



Parts 1

Part No.	Description	Qty.
1	Handle	1
2	Handle Socket	1
3	Screw, Handle Socket	1
4	Left Bolt, Handle Socket	1
5	Spring Washer 18	2
6	Press Hand Axis Washer	2
7	8 " Inflatable Rubber Wheels	2
8	Support Shaft	1
9	Shaft Circlip 25	4
10	Cotter Pin 4X40	1
11	Frame Assembly	1
12	Axle, Front Wheel	2
13	Shaft Circlip 16	4
14	10 " Inflatable Rubber Wheels	2
15	Spring Washer 14	2
16	Nut M14	2
17	Connecting rod pin pads	2
18	Connecting rod pin	2
19	Axle, Handle Socket	1
20	Torsion Spring	1
21	Hydraulic Unit Assembly	1
22	Block Rod	1
23	Handle Socket Pin	1
24	Circlip 10	10
25	Nut M10	10
26	Circlip 12	2
27	Socket head cap screw M12X25	2
28	Bolt M12X25	8
29	Returning Spring	1
30	Lifting Arm Assembly	1
31	Linking Block	1
32	Extension spring rivet	1
33	Top Part Assembly	1
34	Sleeve	1
35	Thick Flat Washer 20	1
36	Circlip 20	1
37	Nut M20	1

