

BIMINI INSTRUCTIONS

Bimini Top INSTRUCTIONS



1. Carefully lay out all pieces. **Do NOT remove plastic on poles until bimini is complete.** Be careful, as hardware may have come loose during shipping. **Do NOT apply provided nut lock until you confirm the bimini top is put together correctly AND mounted on boat.**
2. Begin by identifying and separating all curved rib poles. All rib poles are numbered for easy assembly. Instructions will differ at this point depending on how many bows your bimini has (2, 3 or 4 bow).

TWO BOW BIMINI: The following curved ribs connect together: ribs 1 & 3 and ribs 2 & 4.

THREE BOW BIMINI: The following curved ribs connect together: ribs 1 & 4, ribs 2 & 5 and ribs 3 & 6.

FOUR BOW BIMINI: The following curved ribs connect together: ribs 1 & 5, ribs 2 & 6, ribs 3 & 7 and ribs 4 & 8.

3. Next, lay your bimini canvas top down on a clean surface and identify sewn in label stating "Front." Front tag should be facing up.
4. Now feed your connected rib poles through the pockets on the canvas in the order listed below for your size frame.

TWO BOW: Insert connected rib numbered 1/3 in the front pocket and insert connected rib 2/4 in the rear pocket. When correctly installed numbers 1 and 2 will be on one side and numbers 3 and 4 will be on the other.

THREE BOW: Insert connected rib numbered 3/6 in the front pocket. Insert connected rib 2/5 in middle pocket and connected rib 1/4 in the rear pocket. When correctly installed numbers will run 1, 2, 3 on one side and 4, 5, 6 on the other.

FOUR BOW: Insert connected rib numbered 4/8 in the front pocket. Insert connected rib 3/7 in middle front pocket and connected rib 2/6 in middle rear pocket. Insert connected rib 1/5 in rear pocket. When correctly installed numbers will run 1, 2, 3, 4 on one side and 5, 6, 7, 8 on the other.

5. Assemble the remaining straight poles in the order shown in **images below.**



PLEASE SAVE YOUR WARRANTY STATEMENT & RECEIPT OF PURCHASE.

DISCLAIMER: Failure to adhere to these instructions will void all warranty.

Instructions continued on back.

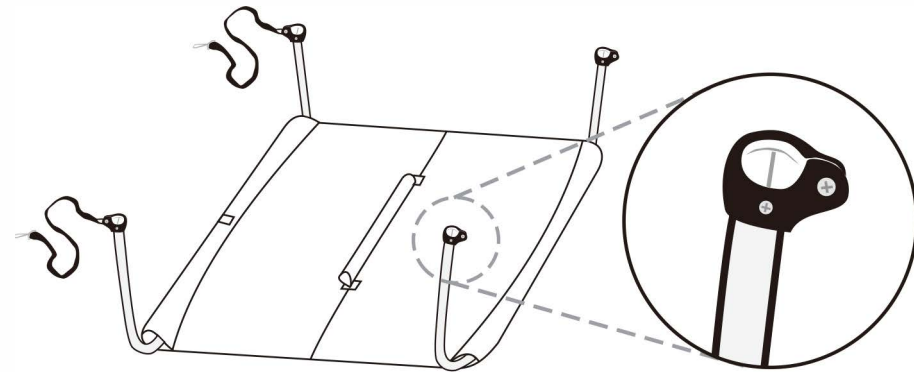
BIMINI INSTRUCTIONS

6. In the bag of hardware provided, you will find black collar brackets. Remove all screws from these brackets and put them safely aside.

TWO BOW BIMINI: Slide one bracket, facing outward, over ribs 1, 2, 3, 4 one inch above the screw hole (see image below).

THREE BOW BIMINI: Slide one bracket, facing outward, over ribs 1, 3, 4, 6 one inch above the screw hole (see image below).

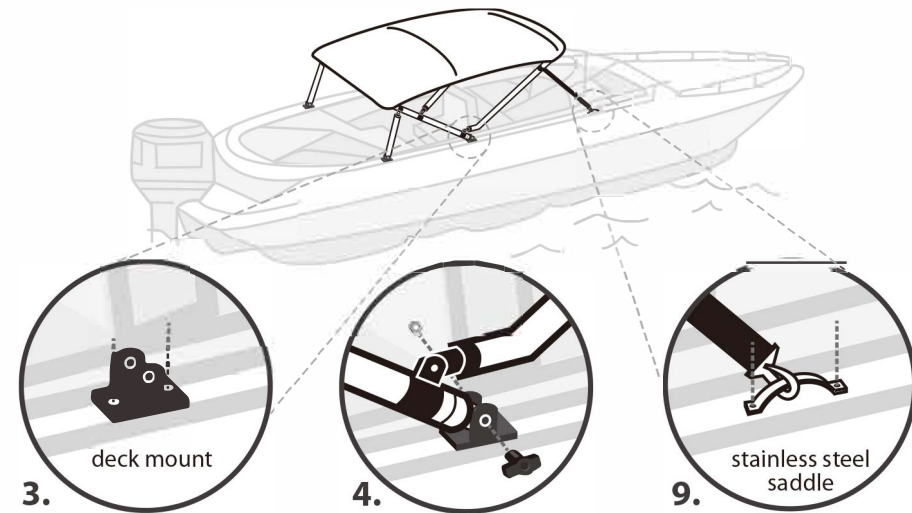
FOUR BOW BIMINI: Slide one bracket, facing outward, over ribs 1, 4, 5, 8 one inch above the screw hole (see image below).



7. Connect straight poles to ribs by joining same numbers on straight poles to the same numbers on the ribs. Now slide the nylon brackets into place on the front and rear poles—make sure brackets are facing outward. Insert and fasten screws on all remaining pole/rib connections (matching numbers).
8. Lastly, attach the rear support poles, as well as the front straps, to the corresponding nylon collars. Straps go in the front, support poles go in the back. Secure with provided nuts and screws.

CLEANING INSTRUCTIONS

The fabric can be cleaned without being removed from the installation. Simply brush off any loose dirt etc., hose down and clean with a mild solution of **natural** soap in lukewarm water (no more than 37°C). Rise thoroughly to remove soap. **DO NOT USE DETERGENTS.** Allow to air dry.



Attaching the Bimini to the Boat

1. Open the bimini top and locate the best position on your boat. In choosing the best location, remember that the bimini shade is equal distance front and back from center deck mounts.
2. Mark on your boat where the deck mounts or side mounts are to be placed.
3. Drill 3.2mm holes and screw for deck mounts or side mounts.
4. Attach the bimini to the deck mount fittings.
5. Fold out rear arms and mark the location on gunwhale.
6. Repeat step 3
7. Attach front straps to the bimini stainless steel saddle fittings.
8. Pull out straps and mark position for the stainless steel saddles using saddles to mark location.
9. Drill 3.2mm holes and screw the two (2) saddles into position.
10. Shorten straps to ensure bimini is tight. Check that all other screws and nuts on bimini are tight.

PLEASE NOTE: ⚠

- If drilling into fiberglass, countersink holes drilled to prevent chipping.
- If drilling into Alloy, use a barrier paste such as "Duralac" to prevent corrosion (not supplied).